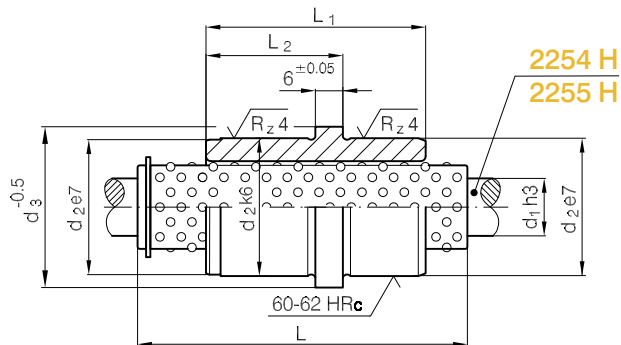
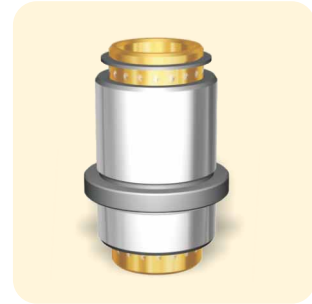


## 2250 H



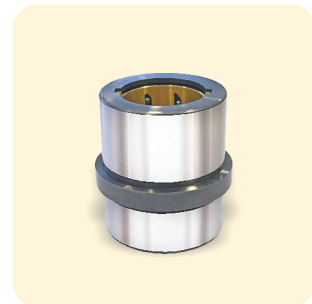
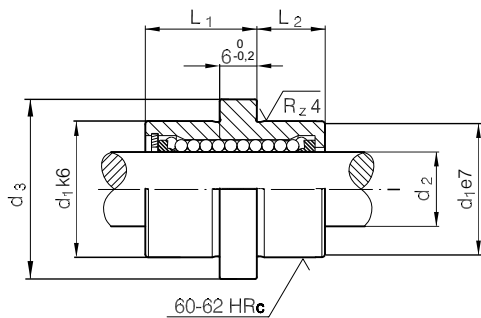
2254 H  
2255 H



2250 H - d<sub>1</sub> x L

L <sub>1</sub>	L <sub>2</sub>	H <sub>max</sub>	d <sub>3</sub>	d <sub>2</sub>	d <sub>1</sub>	L
24	18	50	26	22	12	40
		82				56
34	23	44	35	30	18	45
		66				56
		96				71
54	33	32	52	46	30	56
		70				75
		110				95

## 2251.1



2251.1 - d<sub>2</sub> x L<sub>2</sub> x L<sub>1</sub>

d <sub>1</sub>	d <sub>3</sub>	d <sub>2</sub>	L <sub>2</sub>	L <sub>1</sub>
17	20	10	9	12
			17	17
22	25	12	9	17
			12	
30	33	18	12	22
			17	
38	41	24	17	27
			22	
46	49	30	22	32
			27	